

Max. allowed axle load per axle line: 12 t  
 Stress level: 79 %

Ch.Nr.	Label	Element	Weights
YAFMFS003F0200108		Universal gooseneck, type V-40-DSR3350-2-U	6.7 t
YAFMFT000J0201635		Spine Bed "BBX-A" 150-7.44-2.55-320-1.20-V-HK-BK	8.8 t
YAFMFT008F0200367		Combi lowbed-coupling head at rear	1.3 t
YAFMF4006F0200048		4-axles end of train bogie, type 245/2850/1360	9.3 t
		Accessories	0.4 t
<b>Total dead weight:</b>			<b>26.5 t</b> (± 3%)
<b>Total payload:</b>			<b>0 t</b>
<b>Total weight:</b>			<b>26.5 t</b>

	Dead weight inclusive	Dead weight NOT inclusive
<b>Gooseneck</b>	- landing gears, pressure blocs, safety pins, assembled PPU - spare wheels *	-
<b>Bogie</b>	- height adapter, coupling pins, centering pins, tie rod - outriggers *	- rimmed timber - PPU, rear lighting elements
<b>Lowbed</b>	- height adapter, coupling pins, centering pins, tie rod, pressure blocs, safety pins - access ramps *, outriggers * - foldable outriggers and mattresses on outer frame for excavator bridge	- loading floors, rimmed timbers - vesselbridges, sliding bolsters - foldable outriggers and mattresses on extension for excavator bridge
<b>Add-on beam</b>	- height adapters, couplings pins, centering pins, tie rod	- sliding bolsters, bridging pieces

\* if those elements are included in the order

selected gooseneck setting: rigid

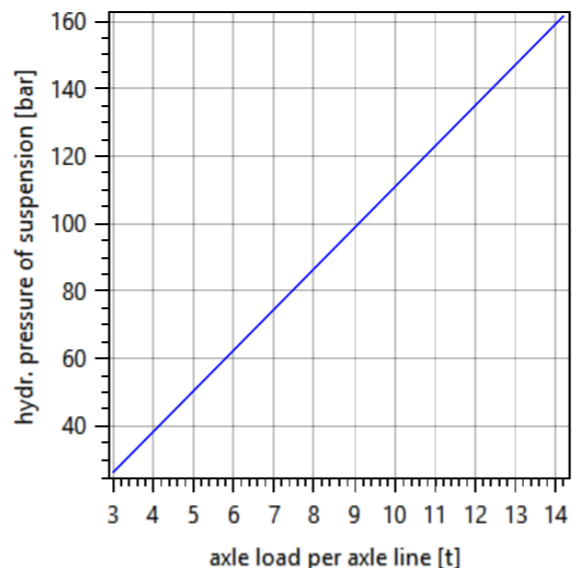
type:	V-40
max. speed (km/h)	max. 5th wheel load (t)
80	40
60	44
50	44.8
40	46
30	50

### axle load and tyre pressure

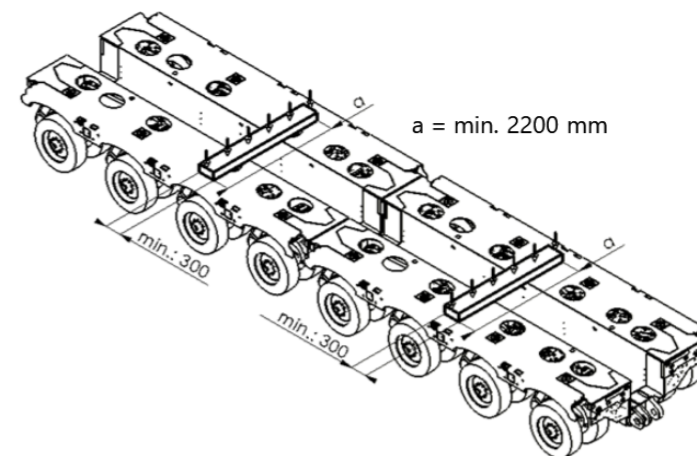
type:	PA-**-17.5-245-...	
tyres:	245/70R17.5 143/141J (146/146F)	
max. speed (km/h)	max. tec. allowed load per axle line (t)	tyre pressure (bar)
<b>public road</b>		
80	12	9
62.5	12.5	9.7
60	12.5	9.8
50	12.8	10
40	12.9	10
30	13.7	10
<b>special</b>		
80	12	9
62.5	12.5	9.7
60	12.5	9.8
50	12.8	10
40	13.1	10.1 *
30	14.2	10.4 *

\* the tyre pressure on public roads is limited at 10 bar

### hydraulic pressure



### load support requirement



**As described in the FALCO – DISCLAIMER signed by receipt of the program we remember especially the following points:**

- All calculated values mentioned in FALCO are to be considered technical limit values. It is the responsibility of the operator of the vehicle to observe the corresponding contingency reserves as to the mentioned limit values while operating the vehicle.
- FALCO does not take into account the load rating of roadways and bridges or any environmental influences.
- The operator needs to check whether the components as stated and possible combined components can and may actually be coupled. This especially goes for combining vehicles delivered in different time periods or when using third-party products in a combination. In case of doubt, the component related indications in the operational manual will be valid and / or FAYMONVILLE should be consulted.
- The user commits himself to critically consider solutions calculated by FALCO Software and to not use these if they seem blatantly wrong.