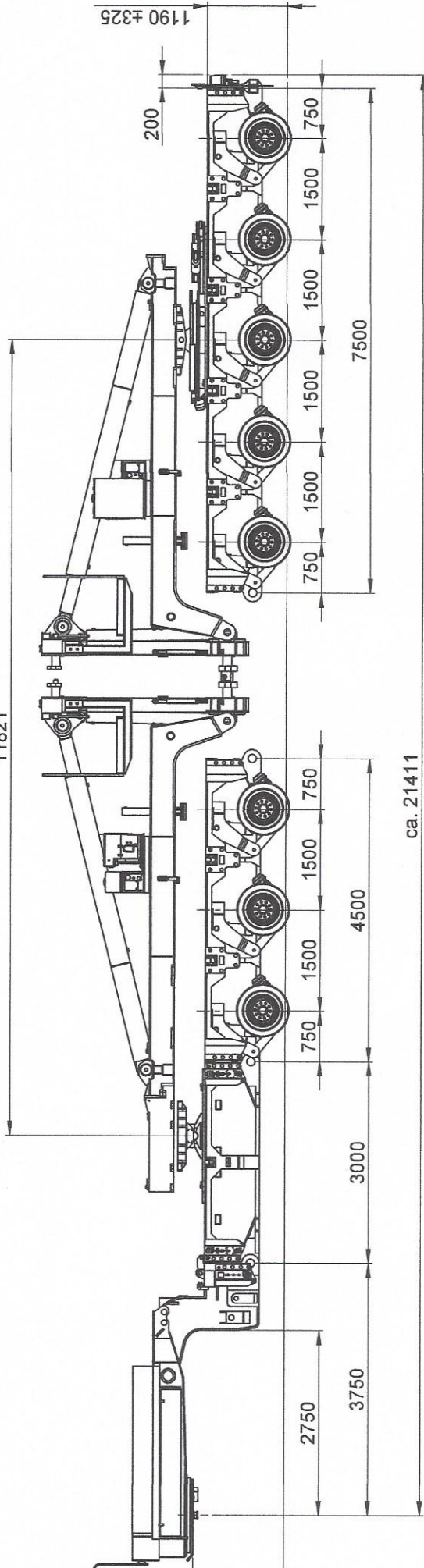
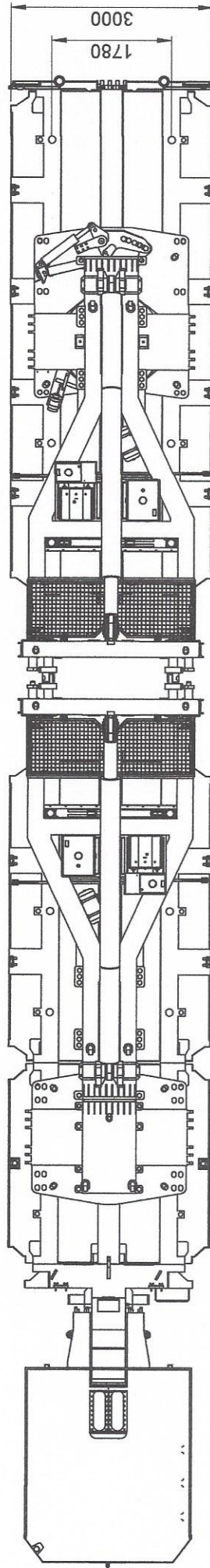


11821



ca. 21411



This drawing remains the property of Scheuerle.
 It is entrusted to the receiver for the specified
 use only, it may not be reproduced nor made
 accessible to third persons without written
 permission.
SCHEUERLE-FAHRZEUGFABRIK GMBH

Alterations to design and
 dimensions reserved!

Maßstab 1:60

Name	Förmzler
Datum	17.12.2012
Gez.	
Gepr.	

Copyright DIN 34 / ISO 16016

SCHEUERLE
 FAHRZEUGFABRIK GmbH
 Öttinger Str. 16
 D-74629 Pfedelbach

Urspr.

Ers.f.

Ers.d.

Massskizze
 esquema de medidas
 dimensional sketch

60108041 Komb.010 Version 0
 Bl. 1
 1 Bl.